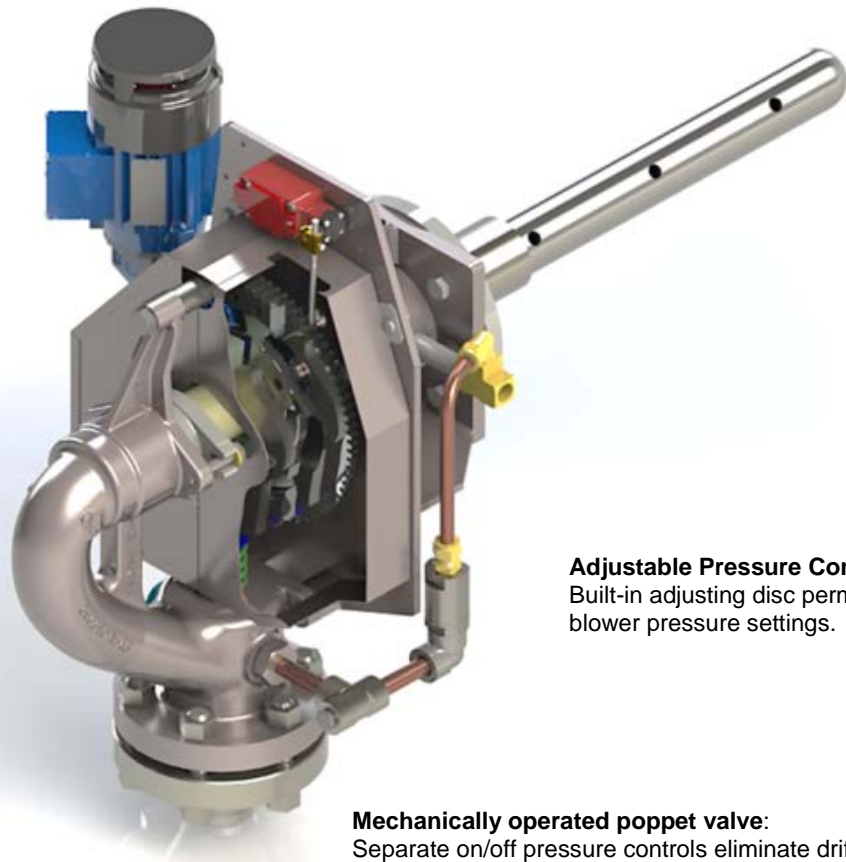


G9B™

Fixed Position Rotary Sootblower

Positive Gear direct drive:
From motor, chain wheel or hand crank.

Removable Covers:
EU Machinery Directive compliant guard design for protection against moving parts and hot surfaces.



Adjustable Pressure Control:
Built-in adjusting disc permits individual blower pressure settings.

Mechanically operated poppet valve:
Separate on/off pressure controls eliminate drift, set-it-and-forget-it performance for design flow, minimum pressure drop and reliable pressure settings.

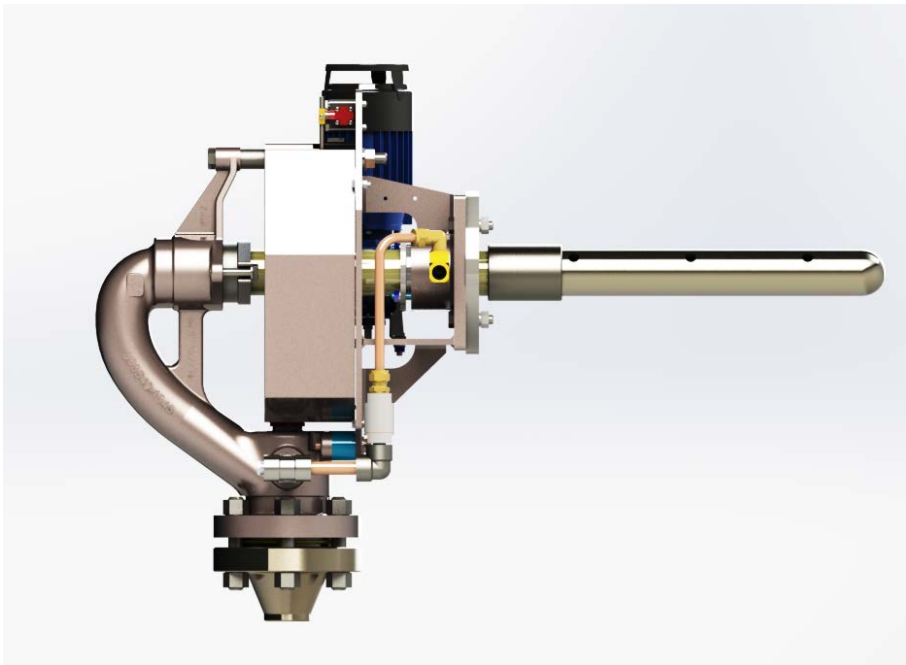
The G9B sootblower is designed to remove ash deposits from tube surfaces in stationary boilers, marine boilers, waste heat boilers and direct-fired oil-heaters where gas temperature zones inside the boiler permit a fixed cleaning element. The G9B may also be used for cleaning low temperature gas zones in large boilers, including reheaters, economizers and gas

recirculation and precipitator ducts.

A multi-nozzled element is used in a lane blowing or mass blowing configuration for complete cleaning of the boiler tube surface area. Element materials are selected for different flue gas and temperature requirements.

The G9B sootblower requires only one operation to rotate the blowing element and

simultaneously open and close the supply valve. The G9B can be configured to operate with an electric motor, chain (manual), or crank. When manually operated heads are located within reach of the floor or gallery, the sheave wheel and operating chain can be replaced by a hand crank.



Specifications:

Blower Coverage	Up to and including 6 metres
Motor Data	Single Electric Motor: 0.18 kW
Electrical equipment	Suitable for indoor or outdoor service (hazardous environment optional)
Blowing medium	Steam or air up to 128barg at 500°C
Blowing medium valve	Diamond Power® mechanically operated poppet valve with integral pressure adjustment.
Blowing medium valve actuator	Positive direct mechanical actuation providing full opening and closing.
Feed tube material	304 Stainless Steel, ground and polished OD
Jet Element	Carbon steel, low alloy chromium molybdenum steel and high alloy stainless steel.
Drive arrangement	Electric Operation or Manual Operation
Blowing Revolutions	Set for single revolution per blowing cycle.
Blowing Arc	90° to 360°
Element rotation speed	Approximately 2.5 RPM
Mounting arrangement	With blowing medium inlet horizontal, vertical, or 45 degrees either side of vertical.
Protection	Fully guarded in compliance with EC Machinery Directives.

Diamond Power International, Inc. is a globally acknowledged market leader in all aspects of boiler cleaning and ash handling. For more than 100 years, DPPI has consistently provided innovative technologies for power generation, pulp & paper and industrial boiler designs, proven to solve the most difficult plant challenges while delivering promised benefits. Diamond Power is headquartered in Lancaster, Ohio, U.S. with more than 80 field sales, service support, distribution and manufacturing locations worldwide. For more information, visit www.diamondpower.com.

For over a century: *Trusted for experience. Preferred for performance™*

www.diamondpower.co.uk



This information contained herein is solely for informational purposes and is not offered, nor should be construed as a warranty or contractual obligation. Diamond Power International, Inc. reserves the right to make design or material changes without notice.

